

- 1
- 2
- 3
- 4
- 5
- 6
- 7
- 8
- 9
- 10
- 11
- 12
- 13
- 14
- 15
- 16
- 17
- 18
- 19

**SPECIFICATION**

Version in Steel  
 Steel, 1.7225 (42 CrMo 4V) **ST**  
 zinc plated, blue passivated  
 Stainless steel version  
 Stainless steel AISI 303 (X 10 CrNiS 18-9) **NI**  
 F1: max. total load

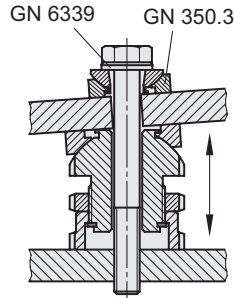
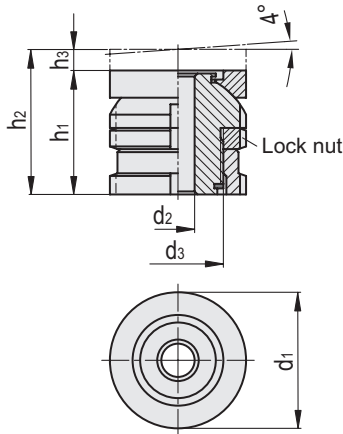
F2: max. load after deduction of the max. preload  
 - for screws 8.8  $\mu = 0.125$  (Steel version)  
 - for screws 6.8  $\mu = 0.14$  (Stainless steel version)

**INFORMATION**

Levelling sets GN 350.5 are used for levelling, adjusting and linking operations. The spherical washer allows precise installation of two non parallel planes at a required gradient up to  $\approx 4^\circ$ . They comprise a threaded upper sleeve and a female threaded lower sleeve. The fine thread allows a stepless and precise setting and locking using the C-Spanner DIN 1810. A locking ring serves also as a height limiter for the max. height.

**ACCESSORIES**

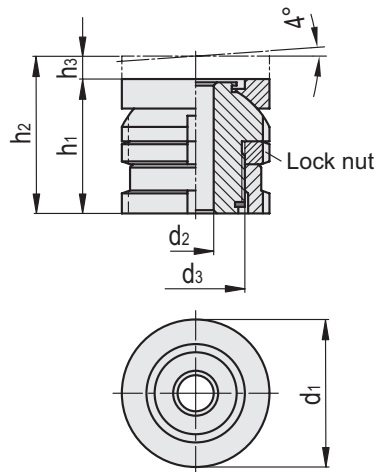
C-Spanner DIN 1810



**GN 350.5-ST**

Code	Description	d1	d2	d3	h1	h2	h3	Screws	Static load F1 [kN]	Static load F2 [kN]	$\Delta$
GN.75102	GN 350.5-25-6,6-27-ST	25	6.6	M 15x1	27	31	4	M 6	40	30.7	80
GN.75104	GN 350.5-25-6,6-40-ST	25	6.6	M 15x1	40	50	10	M 6	40	30.7	85
GN.75120	GN 350.5-32-6,6-32-ST	32	6.6	M 20x1	32	37	5	M 6	65	55.7	140
GN.75122	GN 350.5-32-6,6-49-ST	32	6.6	M 20x1	49	63	14	M 6	65	55.7	147
GN.75112	GN 350.5-32-9-32-ST	32	9	M 20x1	32	37	5	M 8	65	48	130
GN.75114	GN 350.5-32-9-49-ST	32	9	M 20x1	49	63	14	M 8	65	48	147
GN.75116	GN 350.5-32-11-32-ST	32	11	M 20x1	32	37	5	M 10	65	37.9	120
GN.75118	GN 350.5-32-11-49-ST	32	11	M 20x1	49	63	14	M 10	65	37.9	200
GN.75132	GN 350.5-45-11-41-ST	45	11	M 30x1.5	41	48	7	M 10	120	92.9	360
GN.75134	GN 350.5-45-11-61-ST	45	11	M 30x1.5	61	79	18	M 10	120	92.9	360
GN.75136	GN 350.5-45-13,5-41-ST	45	13.5	M 30x1.5	41	48	7	M 12	120	80.4	350
GN.75138	GN 350.5-45-13,5-61-ST	45	13.5	M 30x1.5	61	79	18	M 12	120	80.4	510
GN.75140	GN 350.5-45-17,5-41-ST	45	17.5	M 30x1.5	41	48	7	M 16	120	45.5	360
GN.75142	GN 350.5-45-17,5-61-ST	45	17.5	M 30x1.5	61	79	18	M 16	120	45.5	470
GN.75152	GN 350.5-58-17,5-53-ST	58	17.5	M 40x1.5	53	62	9	M 16	210	136	780
GN.75154	GN 350.5-58-17,5-79-ST	58	17.5	M 40x1.5	79	102	23	M 16	210	136	1184
GN.75156	GN 350.5-58-22-53-ST	58	22	M 40x1.5	53	62	9	M 20	210	90	770
GN.75158	GN 350.5-58-22-79-ST	58	22	M 40x1.5	79	102	23	M 20	210	90	840
GN.75160	GN 350.5-58-26-53-ST	58	26	M 40x1.5	53	62	9	M 24	210	37	760
GN.75162	GN 350.5-58-26-79-ST	58	26	M 40x1.5	79	102	23	M 24	210	37	830
GN.75172	GN 350.5-70-22-61-ST	70	22	M 50x1.5	61	71	10	M 20	330	210	1300
GN.75174	GN 350.5-70-22-94-ST	70	22	M 50x1.5	94	123	29	M 20	330	210	2100
GN.75176	GN 350.5-70-26-61-ST	70	26	M 50x1.5	61	71	10	M 24	330	157	1400
GN.75178	GN 350.5-70-26-94-ST	70	26	M 50x1.5	94	123	29	M 24	330	157	1900
GN.75180	GN 350.5-70-33-61-ST	70	33	M 50x1.5	61	71	10	M 30	330	53	1100
GN.75182	GN 350.5-70-33-94-ST	70	33	M 50x1.5	94	123	29	M 30	330	53	1800
GN.75187	GN 350.5-80-26-105-ST	80	26	M 60x2	105	79	12	M 24	495	322	2900
GN.75189	GN 350.5-80-26-67-ST	80	26	M 60x2	67	144	39	M 24	495	322	1650
GN.75191	GN 350.5-80-33-105-ST	80	33	M 60x2	105	79	12	M 30	495	218	1911
GN.75193	GN 350.5-80-33-67-ST	80	33	M 60x2	67	144	39	M 30	495	218	1550
GN.75195	GN 350.5-80-39-105-ST	80	39	M 60x2	105	79	12	M 24	495	101	1811
GN.75197	GN 350.5-80-39-67-ST	80	39	M 60x2	67	144	39	M 24	495	101	1450

Standard machine parts



## GN 350.5-NI

INOX STAINLESS STEEL

Code	Description	d1	d2	d3	h1	h2	h3	Screws	Static load F1 [kN]	Static load F2 [kN]	⚖️
GN.75101	GN 350.5-25-6,6-27-NI	25	6.6	M 15x1	27	31	4	M 6	27.1	20.26	80
GN.75103	GN 350.5-25-6,6-40-NI	25	6.6	M 15x1	40	50	10	M 6	27.1	20.26	85
GN.75119	GN 350.5-32-6,6-32-NI	32	6.6	M 20x1	32	37	5	M 6	43.4	36.56	140
GN.75121	GN 350.5-32-6,6-49-NI	32	6.6	M 20x1	49	63	14	M 6	43.4	36.56	147
GN.75111	GN 350.5-32-9-32-NI	32	9	M 20x1	32	37	5	M 8	43.4	30.86	130
GN.75113	GN 350.5-32-9-49-NI	32	9	M 20x1	49	63	14	M 8	43.4	30.86	147
GN.75115	GN 350.5-32-11-32-NI	32	11	M 20x1	32	37	5	M 10	43.4	23.41	120
GN.75117	GN 350.5-32-11-49-NI	32	11	M 20x1	49	63	14	M 10	43.4	23.41	200
GN.75131	GN 350.5-45-11-41-NI	45	11	M 30x1.5	41	48	7	M 10	84	64.01	360
GN.75133	GN 350.5-45-11-61-NI	45	11	M 30x1.5	61	79	18	M 10	84	64.01	360
GN.75135	GN 350.5-45-13,5-41-NI	45	13.5	M 30x1.5	41	48	7	M 12	84	54.82	350
GN.75137	GN 350.5-45-13,5-61-NI	45	13.5	M 30x1.5	61	79	18	M 12	84	54.82	510
GN.75139	GN 350.5-45-17,5-41-NI	45	17.5	M 30x1.5	41	48	7	M 16	84	28.9	360
GN.75141	GN 350.5-45-17,5-61-NI	45	17.5	M 30x1.5	61	79	18	M 16	84	28.9	470
GN.75151	GN 350.5-58-17,5-53-NI	58	17.5	M 40x1.5	53	62	9	M 16	148	92.9	780
GN.75153	GN 350.5-58-17,5-79-NI	58	17.5	M 40x1.5	79	102	23	M 16	148	92.9	1184
GN.75155	GN 350.5-58-22-53-NI	58	22	M 40x1.5	53	62	9	M 20	148	59.08	770
GN.75157	GN 350.5-58-22-79-NI	58	22	M 40x1.5	79	102	23	M 20	148	59.08	840
GN.75159	GN 350.5-58-26-53-NI	58	26	M 40x1.5	53	62	9	M 24	148	20.3	760
GN.75161	GN 350.5-58-26-79-NI	58	26	M 40x1.5	79	102	23	M 24	148	20.3	830
GN.75171	GN 350.5-70-22-61-NI	70	22	M 50x1.5	61	71	10	M 20	225	136.08	1300
GN.75173	GN 350.5-70-22-94-NI	70	22	M 50x1.5	94	123	29	M 20	225	136.08	2100
GN.75175	GN 350.5-70-26-61-NI	70	26	M 50x1.5	61	71	10	M 24	225	97.3	1400
GN.75177	GN 350.5-70-26-94-NI	70	26	M 50x1.5	94	123	29	M 24	225	97.3	1900
GN.75179	GN 350.5-70-33-61-NI	70	33	M 50x1.5	61	71	10	M 30	225	20.6	1100
GN.75181	GN 350.5-70-33-94-NI	70	33	M 50x1.5	94	123	29	M 30	225	20.6	1800
GN.75186	GN 350.5-80-26-105-NI	80	26	M 60x2	105	79	12	M 24	323	195.3	2900
GN.75188	GN 350.5-80-26-67-NI	80	26	M 60x2	67	144	39	M 24	323	195.3	1650
GN.75190	GN 350.5-80-33-105-NI	80	33	M 60x2	105	79	12	M 30	323	118.6	1911
GN.75192	GN 350.5-80-33-67-NI	80	33	M 60x2	67	144	39	M 30	323	118.6	1550
GN.75194	GN 350.5-80-39-105-NI	80	39	M 60x2	105	79	12	M 24	323	38.2	1811
GN.75196	GN 350.5-80-39-67-NI	80	39	M 60x2	67	144	39	M 24	323	38.2	1450

